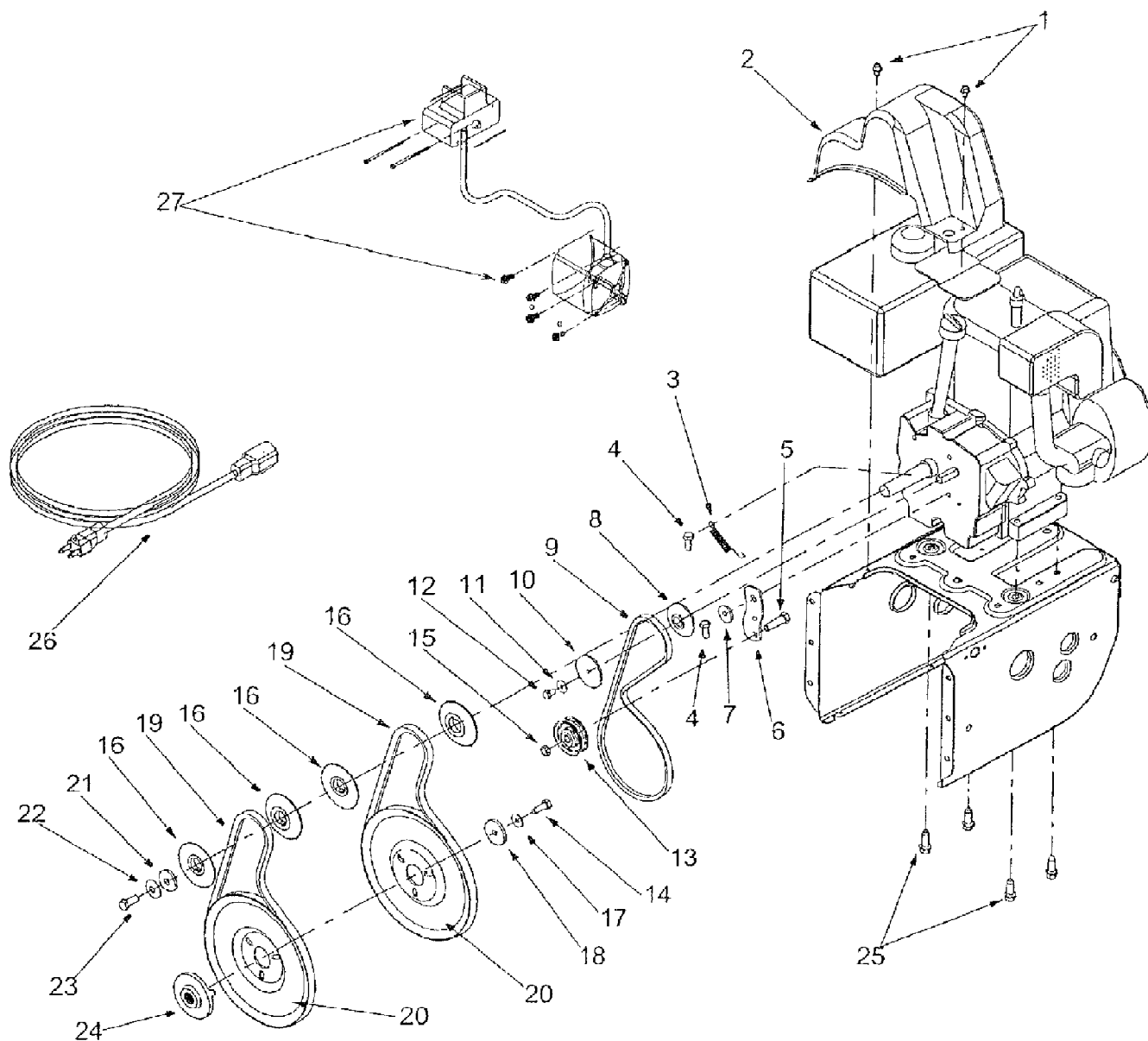


31AE6C0F022 Snow Thrower 826 (2001)
Blower Housing

Page 2 of 13

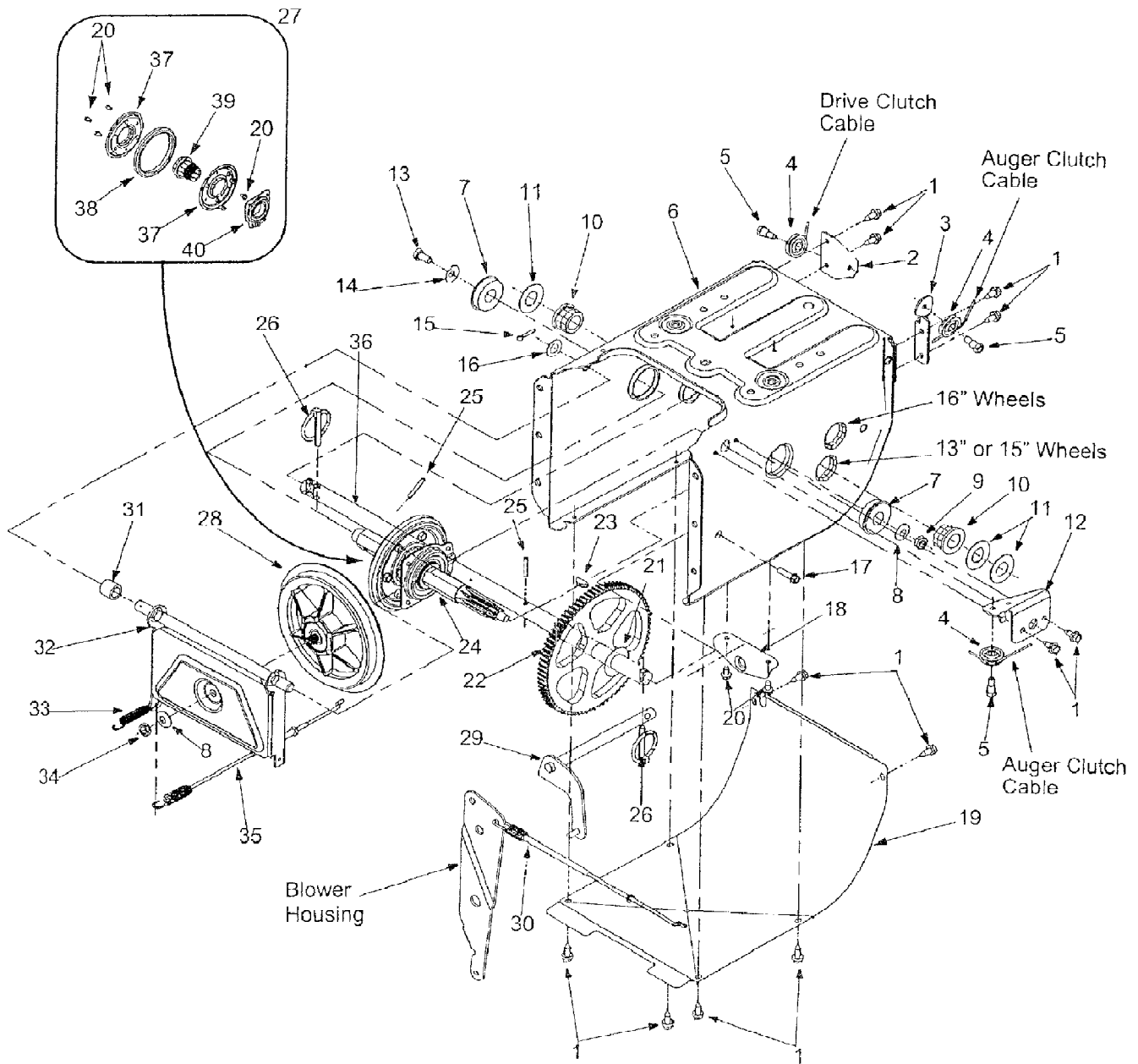
Ref #	Part Number	Qty	S/P/F	Description
1	712-0116	1	S	Lock Jam Nut 3/8-24
2	756-0178	1		Flat Idler
3	784-5632A	1	S	Auger Idler Arm
4	710-0459A	1	/P	Hex Cap Screw 3/8-24 x 1.50
5	738-0281	1	S	Shoulder Screw
6	736-0174	1	/P	Wave Washer
7	732-0611	1	S	Extension Spring
8	712-3068	1	S	Hex Nut 5/16-18
9	712-3010	1	S	Hex Nut 5/16-18
10	736-0119	1	S	Lock Washer 5/16
11	05931	1	S	Housing
12	741-0309	1	S	Ball Bearing
13	710-0451	1	/P	Carriage Bolt 5/16-18 x .75
14	705-5226	1		Reinforcement Chute
15	684-0039C	1	S	24" Housing Assembly
	684-0040C	1	S	26" Housing Assembly
	684-0041C	1	/P	28" Housing Assembly
16	712-3010	1	S	Hex Nut 5/16-18
18	736-0242	1	/P	Bell Washer
19	741-0475	1	S	Bushing
20	784-5647	1	S	Chute Crank Bracket
21	731-1379A	1	S	Chute Adapter
22	712-0324	1	/P	Hex Lock Nut 1/4-20
23	736-0463	1	S	Flat Washer
25	710-0703	1	/P	Carriage Screw 1/4-20 x .75
26	710-0604	1	S	Hex Washer Screw 5/16-18
27	736-0169	1	S	Lock Washer 3/8
28	712-0798	1	/P	Hex Nut 3/8-16
30	784-5580	1		Snow Shoe
31	736-0242	1	/P	Bell Washer
32	712-3010	1	S	Hex Nut 5/16-18
33	784-5581A	1	S	24" Shave Plate
	784-5579A	1	S	26" Shave Plate
	784-5582A	1	S	28" Shave Plate
34	710-0260	1	S	Carriage Bolt 5/16-18 x .62
35	684-0065	1	S	Impeller Assembly
36	715-0114	1	S	Pin
37	618-0120	1	S	24" Gear Assembly
	618-0121	1	S	26" Gear Assembly
	618-0122	1	S	28" Gear Assembly
38	605-5188A	1	S	Spiral 24" RH
	605-5192A	1	S	Spiral 26" RH
	605-5196A	1	S	Spiral 28" RH
39	736-0188	1	/P	Flat Washer
40	741-0493A	1	/P	Flange Bushing
41	605-5189A	1	S	Spiral 24" LH
	605-5193A	1	S	Spiral 26" LH
	605-5197A	1	S	Spiral 28" LH
42	710-0890A	1	/P	Shear Bolt 5/16-18 x 1.5
43	712-0429	1	S	Lock Nut 5/16-18
44	741-0245	1	S	Hex Flange Bearing
45	784-5618	1	S	Bearing Housing



31AE6C0F022 Snow Thrower 826 (2001)
Drive Belts & Electric Start

Page 4 of 13

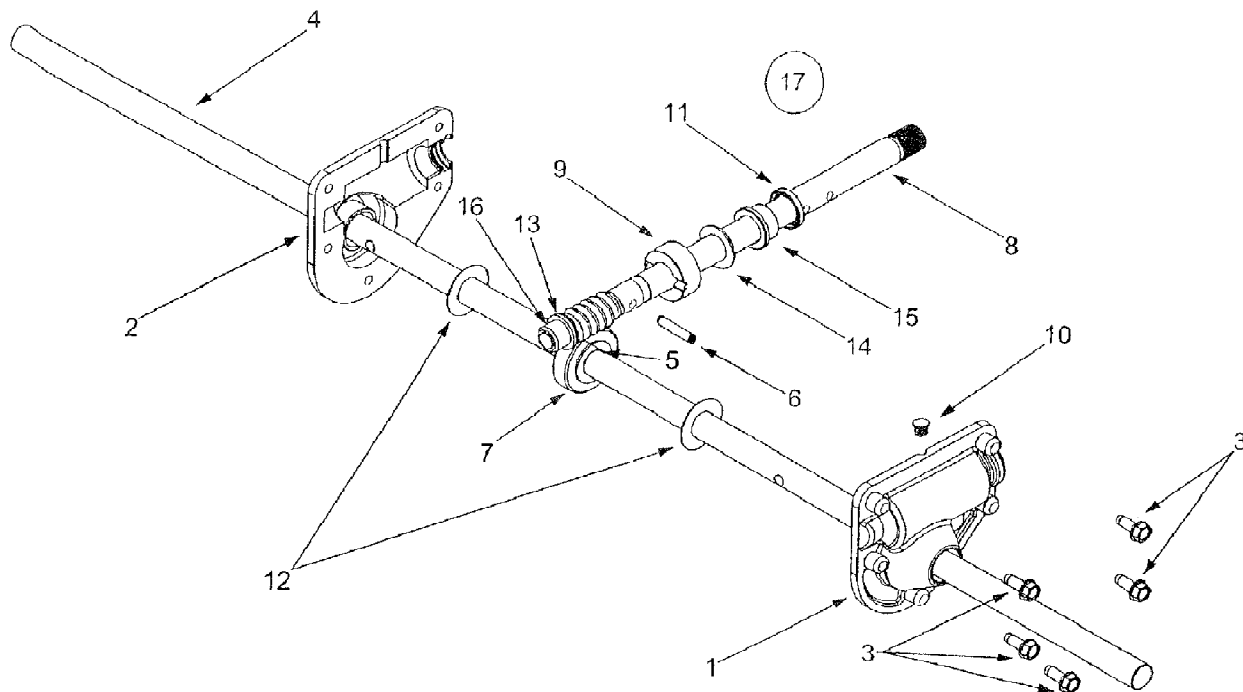
Ref #	Part Number	Qty	S/P/F	Description
1	710-1652	1	/P	Hex Washer Screw 1/4-20 x .625
2	731-1324	1		Belt Cover
3	732-0710	1	S	Extension Spring
4	710-0627	1	/P	Hex Screw 5/16-24 x .75
5	710-3005	1	/P	Hex Cap Screw 3/8-16 x 1.25
6	05896A	1		Drive Clutch Idler Bracket
7	748-0234	1	/P	Shoulder Spacer
8	756-0987	1	S	Pulley Half
9	754-0346	1	S	V-Belt
10	756-0986	1		Pulley Half
11	736-0270	1	/P	Bell Washer
12	710-0230	1	/P	Hex Cap Screw 1/4-28 x .50
13	756-0313	1	/P	Flat Idler
14	710-1245	1	/P	Lock Hex Cap Screw 5/16-24
15	712-0181	1	S	Lock Jam Nut 3/8-16
16	756-0569	1		Pulley Half
17	736-0242	1	/P	Bell Washer
18	736-0505	1		Flat Washer
19	754-0430A	1	S	Belt
20	756-0967	1		Auger Pulley
21	736-0247	1	/P	Flat Washer 3/8 x 1.25 OD
22	736-0331	1	/P	Bell Washer
23	710-0696	1	/P	Hex Cap Screw 3/8-24
24	748-0350	1	S	Adapter Pulley
25	710-0654A	1	/P	Hex Screw 3/8-16 x 1.0
26	629-0071	1	S	Extension Cord
27	OEM-390-987	1	S	Electric Start



31AE6C0F022 Snow Thrower 826 (2001)
Frame & Drive Assembly

Page 6 of 13

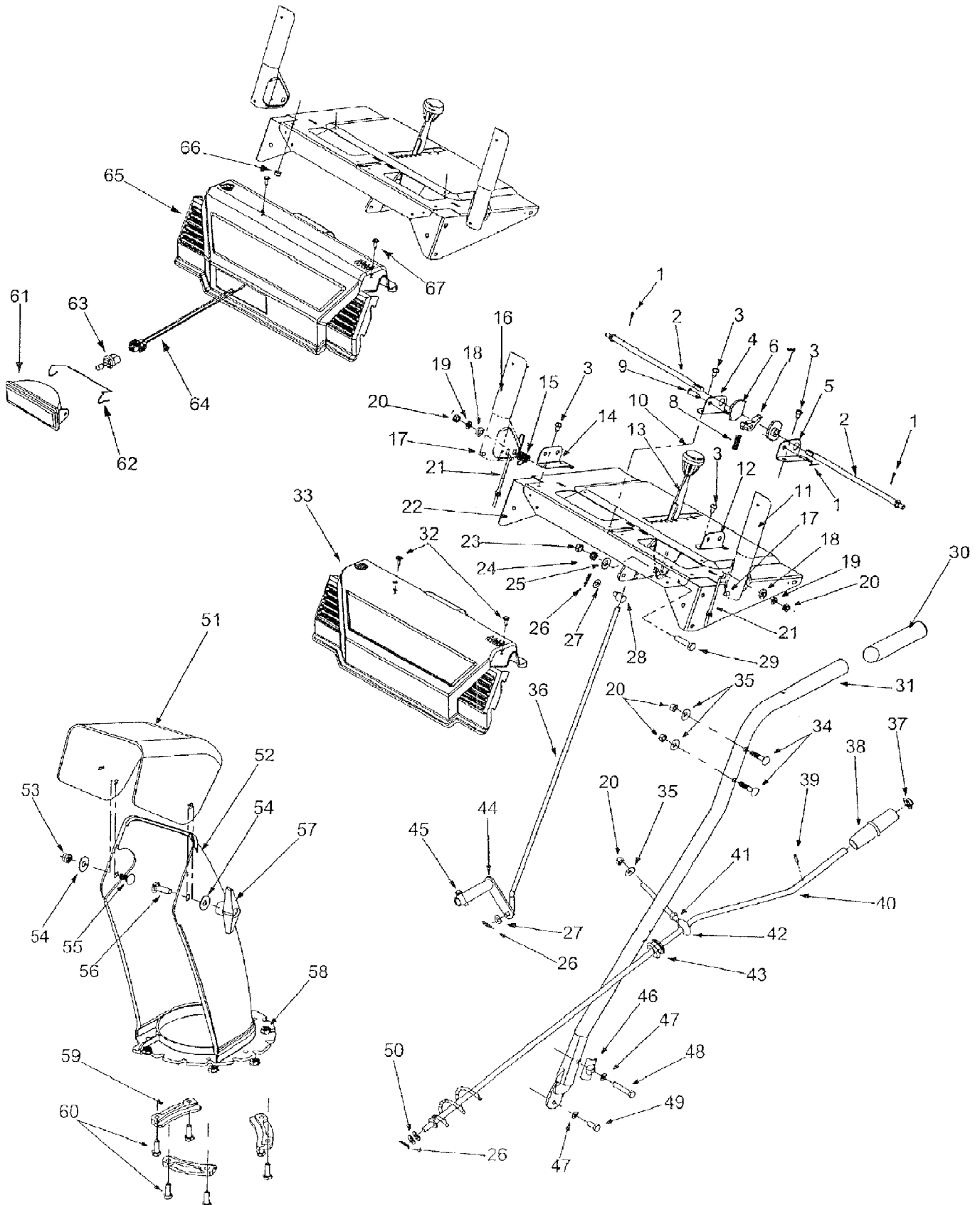
Ref #	Part Number	Qty	S/P/F	Description
1	710-1652	1	/P	Hex Screw
2	784-5688	1	S	Drive Cable Guide Bracket
3	784-5687A	1	S	Auger Clutch Cable Bracket
4	756-0625	1		Roller Cable
5	738-0924	1	S	Hex Screw 1/4-28
6	684-0030	1		Frame Assembly
7	741-0563	1	S	Ball Bearing
8	736-0105	1	/P	Bell Washer
9	712-0116	1	S	Lock Jam Nut
10	741-0598	1	S	Hex Flange Bearing
11	736-0188	1	/P	Flat Washer
12	784-5689A	1	S	Front Support Guide Bracket
13	710-0538	1	/P	Lock Hex Screw
14	736-0242	1	/P	Bell Washer .340 ID x .872 OD
15	714-0474	1	S	Cotter Pin
16	736-0160	1	S	Flat Washer .536 ID x .930 OD
17	710-0788	1	/P	Hex Washer Screw 1/4-20
18	784-5590	1		Frame Shift Bracket
19	784-5638	1		Frame Cover
20	710-0599	1	/P	Hex Washer Screw 1/4-20
21	736-0351	1	S	Flat Washer .760 ID x .50 OD
22	717-1445	1		Gear
23	714-0126	1	S	Key
24	717-1444	1	S	7-Tooth Shaft
25	715-0249	1	S	Roll Pin
26	714-0143	1	S	Klik Pin
27	684-0042B	1	S	Friction Wheel Assembly
28	656-0012A	1	S	Friction Disc Wheel
29	684-0013B	1	S	Wheel Shift Rod Assembly
30	746-0897	1	S	Drive Cable
31	748-0190	1	/P	Spacer
32	684-0021	1	S	Friction Wheel Bracket Assembly
33	732-0264	1	S	Extension Spring
34	712-0711	1	/P	Jam Nut 3/8-24
35	746-0898	1	S	Drive Cable
36	738-0869	1		Axle 13" Wheels
	738-0830	1		Axle 16" Wheels
37	784-5617A	1	S	Friction Plate
38	735-0243	1	S	Friction Wheel Rubber
39	718-0301A	1	S	Friction Wheel Hub
40	618-0063	1		Friction Wheel Bearing



31AE6C0F022 Snow Thrower 826 (2001)
Gear Assembly

Page 8 of 13

Ref #	Part Number	Qty	S/P/F	Description
1	618-0123	1	S	RH Reducer Housing
2	618-0124	1	S	LH Reducer Housing
3	710-0642	1	/P	Hex Screw 1/4-20 x .75
4	711-0908	1	S	Spiral Axle 24"
	711-0909	1	S	Spiral Axle 26"
	711-0910	1	S	Spiral Axle 28"
5	714-0161	1	S	Key
6	715-0143	1	S	Pin-Spiral
7	717-0528	1	S	Worm Gear, 20T
8	717-0526	1		Worm Shaft
9	718-0186	1		Thrust Collar
10	721-0325	1		Grease Plug
11	721-0327	1		Grease Seal
12	736-0351	1	S	Flat Washer .76 x 1.5 x .030
13	736-0369	1	S	Flat Washer .508 x 1.0 x .020
14	736-0445	1	S	Flat Washer .76 x 1.5 x .060
15	741-0662	1		Flange Bearing .75 x 1.0 x .59
16	741-0663	1		Flange Bearing .75 x 1.0 x .925
17	618-0120	1	S	Ass'y. Complete 24"
	618-0121	1	S	Ass'y. Complete 26"
	618-0122	1	S	Ass'y. Complete 28"



31AE6C0F022 Snow Thrower 826 (2001)
Handle Assembly & Chute

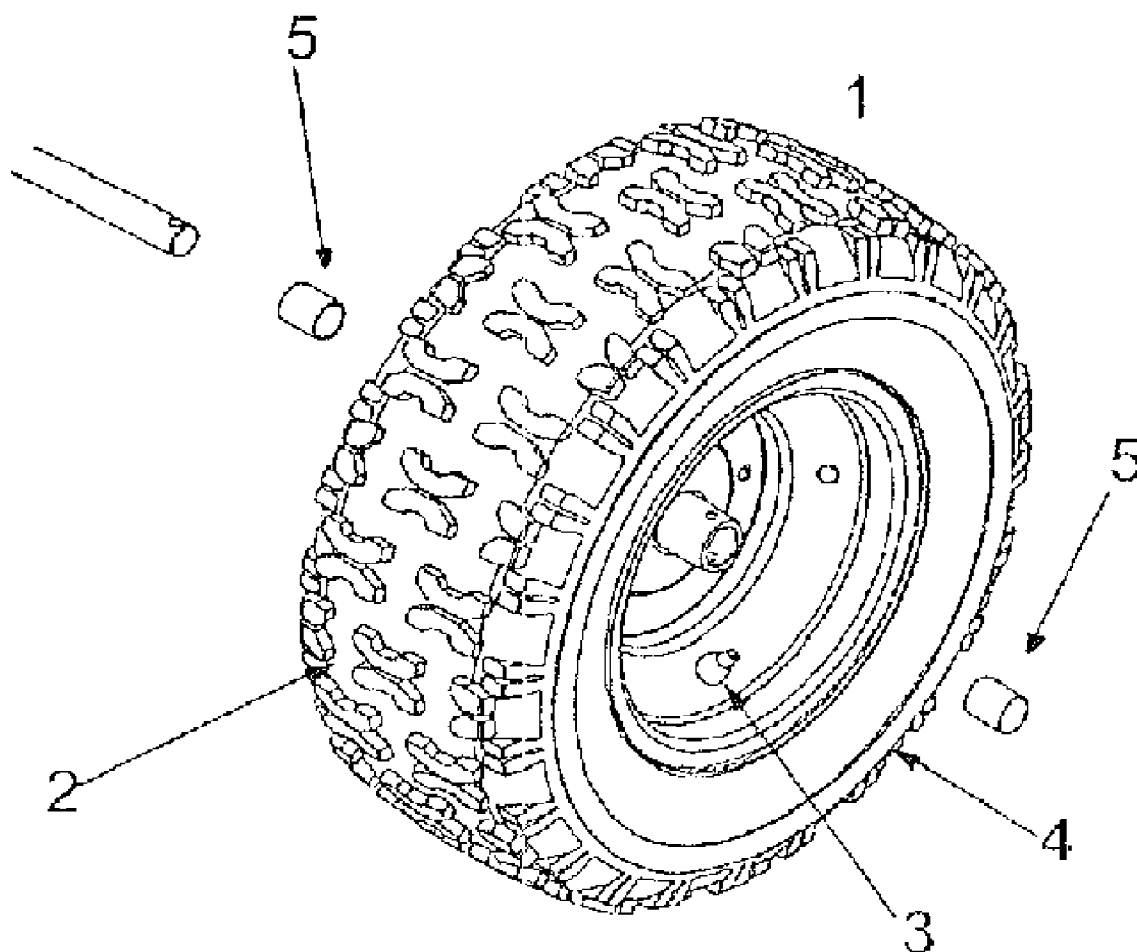
Page 10 of 13

Ref #	Part Number	Qty	S/P/F	Description
1	714-0507	1	S	Cotter Pin
2	747-0877	1		Rod
3	710-0599	1	/P	Hex Washer Screw 1/4-20 x .5
4	784-5680	1	S	Handle Support Bracket - RH
5	784-5679	1	S	Handle Support Bracket - LH
6	748-0362	1		Cam Lock Handle
7	748-0363	1	S	Handle Lock Pawl
8	732-0145	1	/P	Compression Spring
9	711-0653	1	/P	Clevis Pin
10	720-0232	1	S	Knob
11	684-0037	1	S	Handle Assy - LH
12	784-5681	1	/P	Handle Support Bracket - LH
13	784-5619A	1	S	Shift Handle
14	784-5682	1	S	Handle Support Bracket- RH
15	732-0746	1		Torsion Spring
16	684-0036	1	S	Handle Assy - RH
17	735-0199A	1	S	Rubber Bumper
18	736-0509	1		Washer
19	736-0119	1	S	Lock Washer 5/16
20	712-3010	1	S	Hex Nut 5/16-18
21	746-0778	1	S	Cable
22	684-0103	1		Panel
23	712-0116	1	S	Jam Lock Nut 3/8-24
24	732-0193	1	/P	Compression Spring
25	736-0105	1	/P	Bell Washer
26	714-0104	1	S	Cotter Pin
27	736-0275	1	S	Flat Washer 5/16
28	711-0677	1	S	Ferrule
29	710-0459A	1	/P	Hex Cap Screw 3/8-24 x 1.50
30	720-0274	1	/P	Grip
31	749-0910B	1	S	Handle - RH
	749-0911B	1	S	Handle - LH
32	710-1003	1	/P	Hex Washer Screw
33	731-1391	1	/P	Handle Panel
	731-1393	1	S	Handle Panel w/ Top Light
34	710-0262	1	/P	Carriage Bolt 5/16-18 x 1.50
35	736-0242	1	/P	Bell Washer .340 ID x .872 OD
36	747-0798A	1	/P	Shift Rod
37	726-0100	1	S	Push Cap
38	720-0201A	1	/P	Chute Knob
39	715-0138	1	S	Roll Pin
40	705-5204A	1	S	Chute Crank
41	712-3010	1	S	Hex Nut 5/16 - 18
42	747-0697	1	/P	Chute Crank Eyebolt
43	735-0234	1		Rubber Grommet
44	684-0008A	1	S	Shift Arm Assembly
45	710-0788	1	/P	Hex Washer Screw 1/4-20 x 1.0
46	784-5599	1	S	Handle Tab
47	736-0119	1	S	Lock Washer 5/16
48	710-3180	1	/P	Hex Cap Screw 5/16-18 x 1.75
49	710-3008	1	/P	Hex Cap Screw 5/16-18 x .75
50	736-0185	1	S	Flat Washer
51	731-0921	1	S	Shift Arm Assembly

31AE6C0F022 Snow Thrower 826 (2001)
Handle Assembly & Chute

Page 11 of 13

Ref #	Part Number	Qty	S/P/F	Description
52	731-1300A	1	S	Lower Chute
53	712-0429	1	S	Hex Lock Nut 5/16-18
54	736-0159	1	S	5/16 Washer
55	710-0451	1	/P	Carriage Bolt 5/16-18 x .75
56	710-0276	1	/P	Carriage Screw 5/16-18 x 1.0
57	720-0284	1	S	Knob
58	712-3027	1	S	Hex Lock Nut 1/4-20
59	731-0851A	1	/P	Flange Keeper
60	710-3015	1	/P	Hex Cap Screw 1/4-20 x .75
61	725-1672	1	S/F	Lens Housing Assembly
62	747-1136	1	/P/F	Headlight Retaining Wire
63	725-1658	1	S/F	Halogen Light
64	629-0059	1	S/F	Light Harness
65	731-1392	1	/P/F	Panel w/light
66	712-0271	1	/P/F	Hex Nut 1/4-20
67	710-1003	1	/P/F	Hex Washer Screw #10-16 x .625



31AE6C0F022 Snow Thrower 826 (2001)
Wheel Assemblies

Page 13 of 13

Ref #	Part Number	Qty	S/P/F	Description
1	734-1714	1		13 x 5 Wheel Ass'y Complete
1	734-1712	1		16 x 6.5 Wheel Ass'y Complete
1	734-1709	1		16.5 x 4.8 Wheel Ass'y Complete
2	734-1527	1		13 x 5 Tire Only
2	734-1525	1		16 x 6.5 Tire Only
2	734-1530	1		16.5 x 4.8 Tire Only
3	734-0255	1	S	Air Valve
4	734-1713	1		13 x 5 Rim Only
4	734-1711	1		16 x 6.5 Rim Only
4	734-1708	1	S	16.5 x 4.8 Rim Only
5	741-0401	2	S	Sleeve Bearing